

# PARTS LIST

[ KS-FX280 ]

\* All printed circuit boards and its assemblies are not available as service parts.

Area suffix

J ----- Northern America

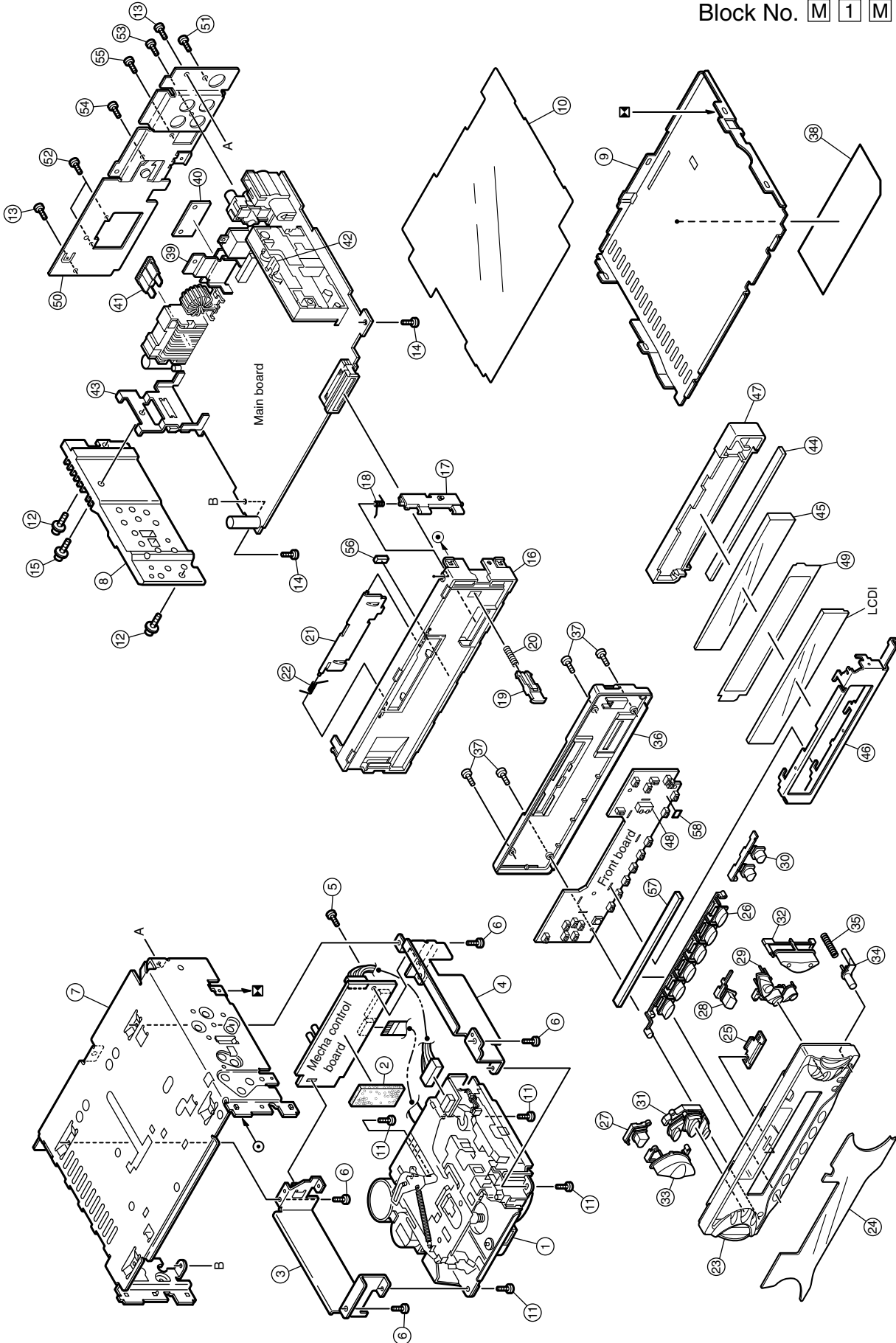
## - Contents -

Exploded view of general assembly and parts list (Block No.M1) .....	3- 2
Cassette mechanism assembly and parts list (Block No.MP) .....	3- 5
Electrical parts list (Block No.01~03) .....	3-10
Packing materials and accessories parts list (Block No.M3,M5) .....	3-16

# Exploded view of general assembly and parts list

Block No. 

M	1	M	M
---	---	---	---



**Parts list (General assembly)**

Block No. M1MM

△	Item	Parts number	Parts name	Q'ty	Description	Area
	1	-----	CASSETTE MECHA	1	CDS-802JE1	
	2	FSYH4036-050	SHEET	1		
	3	FSKL2001-004	MECHA BRACKET(L)	1		
	4	FSKL2002-002	MECHA BRACKET(R)	1		
	5	QYSDST2606Z	SCREW	1	PCB+MECHA	
	6	QYSDST2606Z	SCREW	4	MECHA+M.BKT	
	7	FSJC1056-001	TOP CHASSIS	1		
	8	FSMH3001-002	SIDE PANEL	1		
	9	FSKM3011-002	BOTTOM COVER	1		
	10	FSMA3004-003	INSULATOR	1		
	11	QYSDST2604Z	SCREW	4	CHASSIS+MECHA BKT	
	12	FSKZ4005-001	SCREW	2	CHASSIS+SIDE PANEL	
	13	QYSDST2604Z	SCREW	2	CHASSIS+REAR BKT	
	14	QYSDST2606Z	SCREW	2	CHASSIS+MAIN PWB	
	15	FSKZ4005-001	SCREW	1	SIDE PANEL+IC BKT	
	16	FSJC1052-013	FRONT CHASSIS	1		
	17	FSKS3010-001	LOCK LEVER	1		
	18	FSKW4005-003	TORSION SPRING	1		
	19	FSXP3026-002	RLS KNOB	1		
	20	FSKW3002-004	COMP.SPRING	1		
	21	FSJC3014-003	CASSETTE LID	1		
	22	VKW4947-002	DOOR SPRING	1		
	23	GE10039-001A	FRONT PANEL	1		
	24	GE30303-001A	FINDER ASSY	1		
	25	FSJK3014-001	LIGHT LENS	1		
	26	GE20119-001A	PRESET BUTTON	1	1-6	
	27	GE30304-001ASS	POWER BUTTON	1		
	28	GE30305-001ASS	EJECT BUTTON	1		
	29	GE20131-011A	D.FUNC BUTTON	1	TAPE,FM/AM,CD-CH	
	30	GE30307-001A	SND FUNC BUTTON	1		
	31	GE20130-001A	PUSH BUTTON	1	LOUD,SEL,DISP	
	32	GE20120-001A	UP/DOWN BUTTON	1		
	33	GE20118-001A	+/- BUTTON	1		
	34	GE30306-001A	DETACH BUTTON	1		
	35	FSKW3002-012	COMP. SPRING	1	DETACH BUTTON	
	36	GE10040-001A	REAR COVER	1		
	37	VKZ4777-001	MINI SCREW	4	F.PANEL+REAR COVER	
	38	GE30338-001A	NAME PLATE	1		
	39	GE40103-001A	IC BRACKET	1		
	40	GE40107-001A	HEAT SINK	1		
△	41	QMFZ047-150-T	FUSE	1		
	42	VMA4652-001SS	EARTH PLATE	1		
	43	FSKL4024-001	IC BRACKET	1		
	44	QNZ0440-001	RUBBER CONNE	1		
	45	GE30308-001A	LCD LENS	1		
	46	GE30309-001A	LCD CASE	1		
	47	GE30310-001A	LENS CASE	1		
	48	FSKS3016-002	LED HOLDER	1		

## ■ Parts list (General assembly)

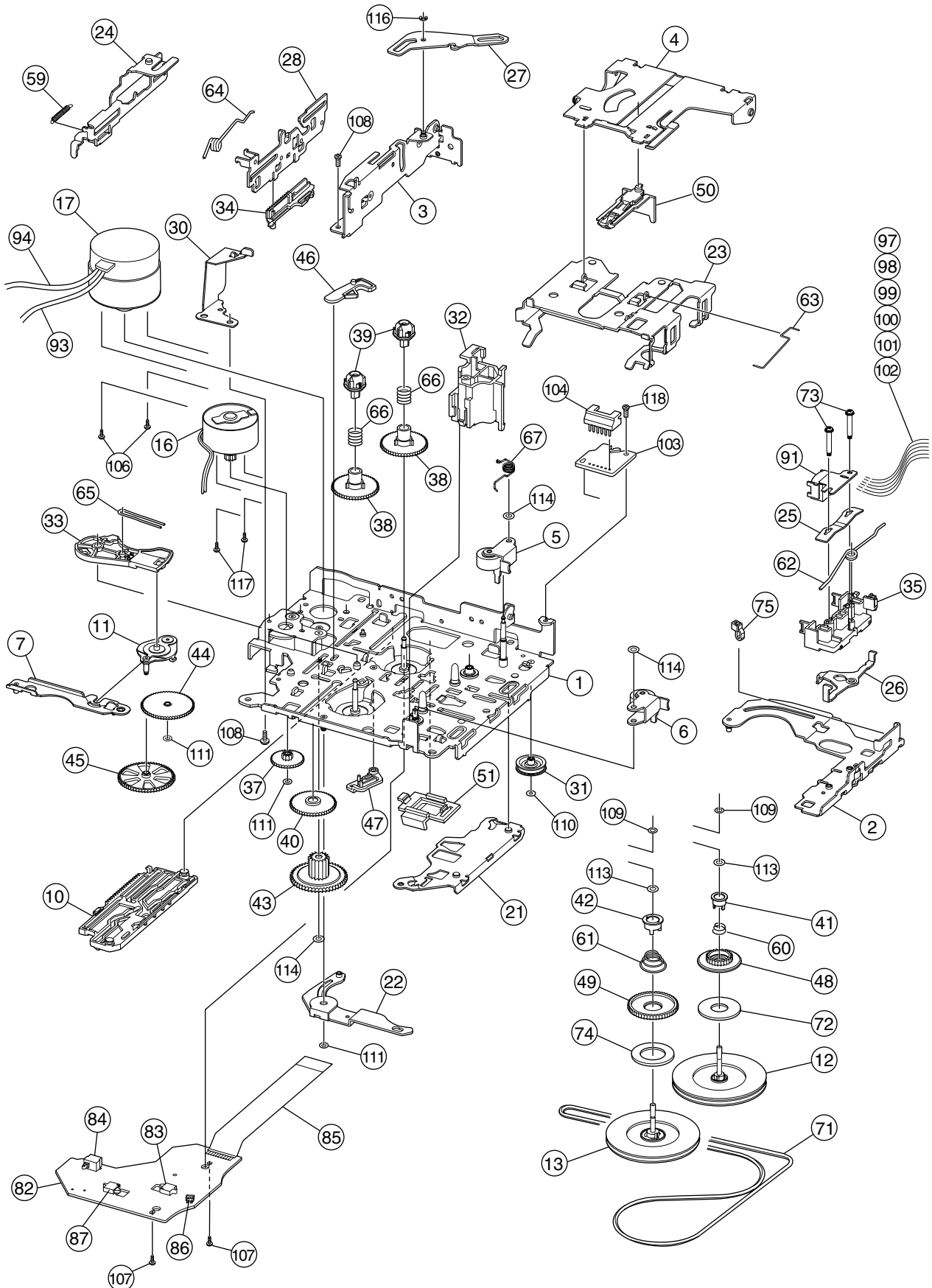
Block No. M1MM

△	Item	Parts number	Parts name	Q'ty	Description	Area
	49	GE40125-002A	SHEET	1		
	50	FSKM3010-017	REAR BRACKET	1		
	51	QYSDST2606Z	SCREW	1	REAR BKT+ANT JACK	
	52	QYSDST2606Z	SCREW	2	REAR BKT+16P	
	53	QYSDSF3006Z	SCREW	1	REAR BKT+PIN JACK	
	54	QYSDST2606Z	SCREW	1	REAR BKT+CD IN	
	55	QYSDST2606Z	SCREW	1	REAR BKT+REG IC JACK	
	56	FSYH4036-076	SHEET	1		
	57	FSYH4036-077	SHEET	1		
	58	FSYH4036-032	SHEET	1		
	LCD 1	QLD0218-001	LCD MODULE	1		

# Cassette mechanism assembly and parts list

CDS-802JE1

Block No. M P M M



## ■ Parts list (Cassette mechanism)

Block No. MPMM

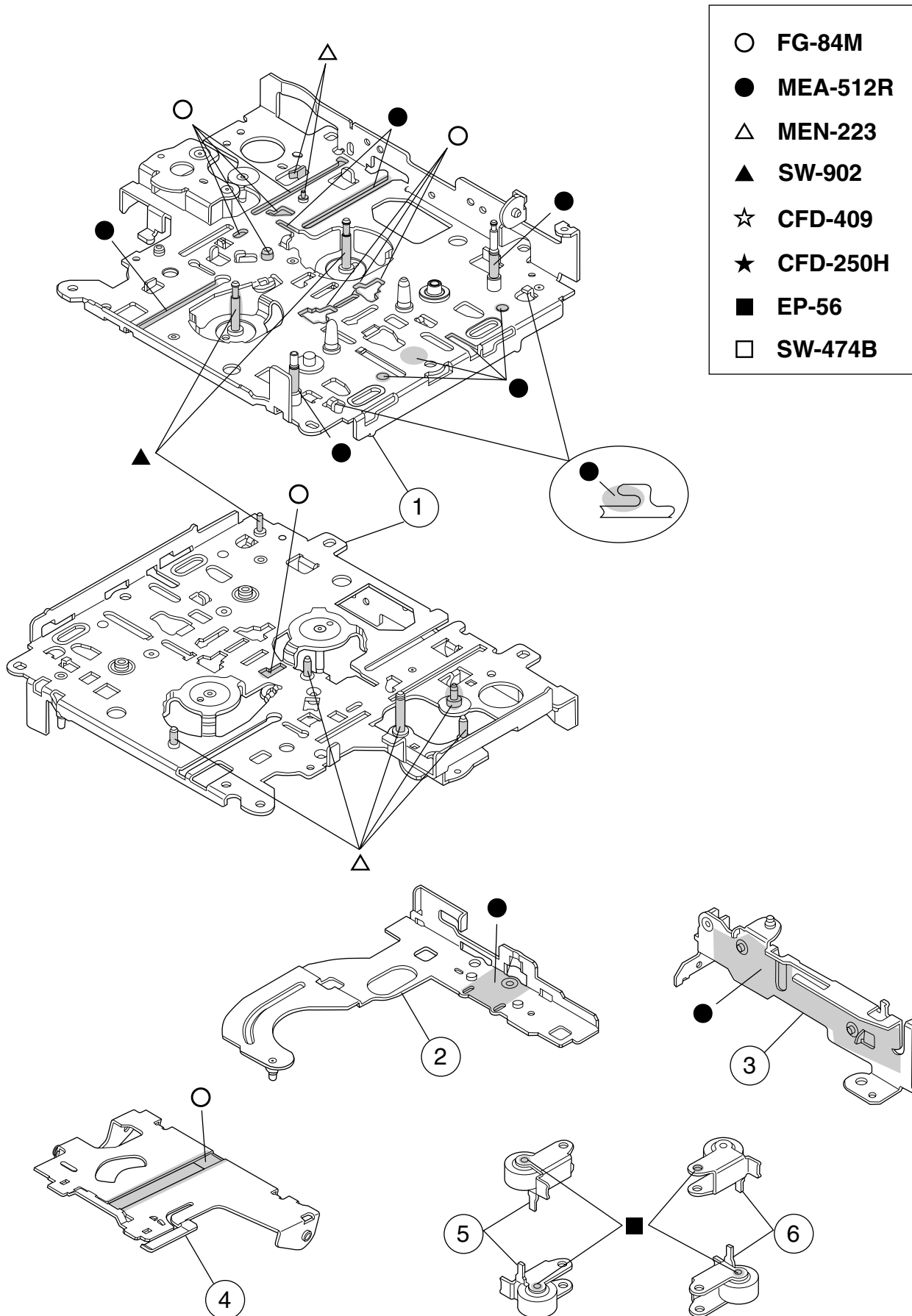
△	Item	Parts number	Parts name	Q'ty	Description	Area
	1	X-0802-1009S	MAIN CHASSIS AS	1		
	2	X-0802-1002S	SLIDE CHASSIS A	1		
	3	X-0802-1003S	SIDE BKT ASSY	1		
	4	X-0802-1004S	CASSETTE HANGER	1		
	5	X-0802-1005S	PINCH ARM F ASS	1		
	6	X-0802-1006S	PINCH ARM R ASS	1		
	7	X-0802-1007S	GEARBASE LINK A	1		
	10	X-0802-2001S	MODE RACK ASSY	1		
	11	X-0802-2002S	GEAR BASE ASSY	1		
	12	1-0802-6001S	FLYWHEEL ASSY F	1		
	13	1-0802-6002S	FLYWHEEL ASSY R	1		
	16	X-0802-7002S	SUB MOTOR ASSY	1		
	17	X-0802-7004S	MAIN MOTOR ASSY	1		
	21	1-0802-1002S	DIRECTION PLATE	1		
	22	1-0802-1005S	DIRECTION LINK	1		
	23	1-0802-1006S	CASSETTE HOLDER	1		
	24	1-0802-1011S	EJECT CAM LIMIT	1		
	25	1-0802-1012S	HEAD SUPPORT SP	1		
	26	1-0802-1013S	PINCH SPG ARM	1		
	27	1-0802-1014S	LOAD ARM	1		
	28	1-0802-1015S	EJECT CAM PLATE	1		
	30	1-0801-1020S	REINFORCE BKT	1		
	31	1-0101-2056S	IDLE PULLEY(A1)	1		
	32	1-0802-2001S	CASSETTE GUIDE	1		
	33	1-0802-2004S	GEAR BASE ARM	1		
	34	1-0802-2006S	LOAD RACK	1		
	35	1-0802-2007S	TAPE GUIDE	1		
	37	1-0802-2009S	REDUCTION GEAR	1	A	
	38	1-0802-2010S	REEL SPINDLE	2		
	39	1-0802-2011S	REEL DRIVER	2		
	40	1-0802-2012S	REDUCTION GEAR	1	B	
	41	1-0802-2013S	SPG HOLDER F	1		
	42	1-0802-2014S	SPG HOLDER R	1		
	43	1-0802-2015S	MODE GEAR	1		
	44	1-0802-2016S	TAKE UP GEAR	1		
	45	1-0802-2017S	REFLECTOR GEAR	1		
	46	1-0802-2018S	RACK LINK	1		
	47	1-0802-2019S	MODE SW ACTUATR	1		
	48	1-0802-2020S	FRICTION GEAR	1	PLAY	
	49	1-0802-2021S	FRICTION GEAR	1	FF	
	50	1-0802-2022S	CASSETTE CATCH	1		
	51	1-0802-2026S	FFC PAD	1		
	59	1-0802-4001S	EJECT CAM PL SP	1		
	60	1-0802-4002S	TU SPG	1		
	61	1-0802-4003S	FF SPG	1		
	62	1-0802-4004S	PINCH ARM SPG	1		
	63	1-0802-4005S	HOLDER STAB SPG	1		
	64	1-0802-4006S	HOLDER CUSH SPG	1		

**Parts list (Cassette mechanism)**

Block No. MPMM

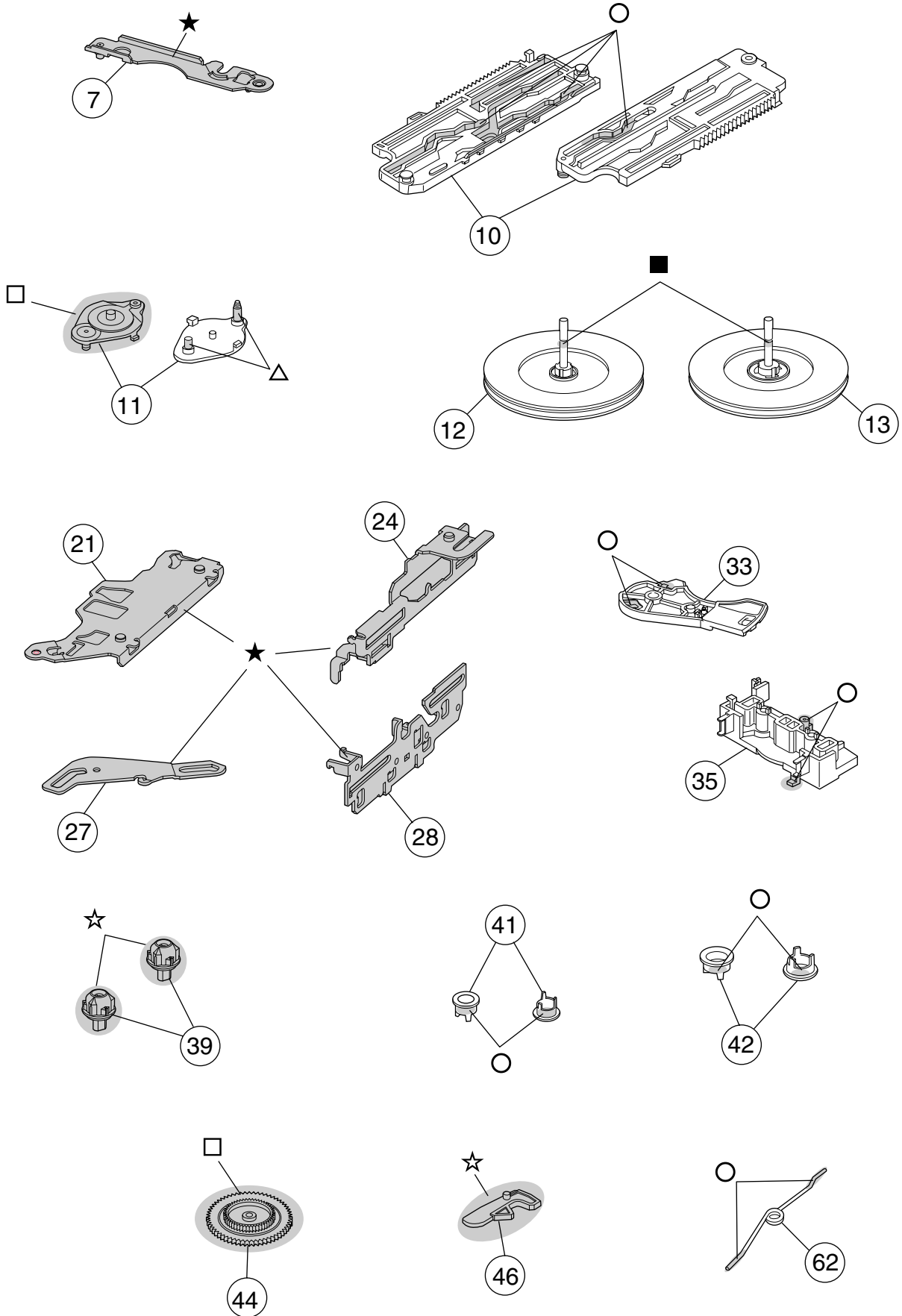
△	Item	Parts number	Parts name	Q'ty	Description	Area
	65	1-0802-4007S	GEAR BASE SPG	1		
	66	1-0802-4008S	REEL DRIVER SPG	2		
	67	1-0802-4013S	COMPULSION SPG	1		
	71	1-0802-5001S	BELT	1		
	72	1-0802-5002S	FELT	1	7.5*18.5*1.0	
	73	1-0802-5003S	AZIMUTH SCREW	2		
	74	1-0802-5004S	FELT	1	11*18.5*1.0	
	75	1-0050-5023S	WIRE CLAMPER	1		
	82	1-0802-7001S	REEL PCB DL	1		
	83	1-0802-7010S	SWITCH(MATSUSIT	1	ESE22MH32	
	84	1-0802-7003S	SWITCH(MIC)	1	MPU11750MLBO	
	85	1-0802-7016S	FLAT CABLE 10P	1	10P-JVC	
	86	1-0801-7024S	PHOTO SENSOR(MA	1	ON2170-QR FS	
	87	1-0802-7009S	SWITCH(MIC)	1	MPU12370MLB0	
	91	1-0802-7007S	HEAD(MITSUMI)	1	P-5344-CB-4152	
	93	1-0801-7009-0S	M.MOTOR WIRE	1	BLACK	
	94	1-0801-7009-1S	M.MOTOR WIRE	1	RED	
	97	1-0802-7012-0S	HEAD WIRE	1	BLACK	
	98	1-0802-7012-1S	HEAD WIRE	1	BROWN	
	99	1-0802-7012-2S	HEAD WIRE	1	RED	
	100	1-0802-7012-3S	HEAD WIRE	1	ORANGE	
	101	1-0802-7012-4S	HEAD WIRE	1	YELLOW	
	102	1-0802-7012-5S	HEAD WIRE	1	WHITE	
	103	1-0802-7008S	HEAD PCB	1		
	104	1-0801-7025S	CONNECTOR	1	S6B-PH-K-S(JST)	
	106	2-1032-0025-C2S	SCREW	2	M2*2.5 #3	
	107	2-13S2-0025-P2S	+PLAIN SCREW	2	M2*2.5 #2S	
	108	2-1112-6035-C2S	+PLAIN SCREW	1	M2.6*3.5 #3	
	109	2-1816-0032-E8S	LMW-S	2	1.6*3.2*0.35	
	110	2-1812-0032-D2S	PSW-S	1	1.2*3.2*0.25	
	111	1-0036-5024S	PSW-S(REEL B)	3	1.5*3.2*0.25	
	113	2-1821-0040-D1S	PSW	2	2.1*4.0*0.25	
	114	2-1821-0040-D2S	PSW-S	3	2.1*4.0*0.25	
	116	2-1711-5040-16S	E RING	1		
	117	2-1031-7030-C2S	SCREW	2	M1.7*3.0 #3	
	118	2-1332-0035-P1S	SCREW	1	M2*3.5	

# Grease point 1/2





# Grease point 2/2



## ■ Electrical parts list (Main board)

Block No. 01

△	Item	Parts number	Parts name	Remarks	Area
C 1	QERF1CM-106Z	E CAPACITOR	10MF 20% 16V		
C 2	QEKJ1CM-106Z	E CAPACITOR	10MF 20% 16V		
C 4	QDVB1EZ-223Y	C CAPACITOR			
C 6	QDYB1CM-103Y	C CAPACITOR			
C 8	QCBB1HK-121Y	C CAPACITOR	120PF 10% 50V		
C 9	QEKJ1HM-104Z	E CAPACITOR	0.1MF 20% 50V		
C 10	QDGB1HK-102Y	C CAPACITOR			
C 12	QDYB1CM-103Y	C CAPACITOR			
C 13	QERF1AM-107Z	E CAPACITOR	100MF 20% 10V		
C 31	QEKJ1HM-104Z	E CAPACITOR	0.1MF 20% 50V		
C 32	QEKJ1HM-104Z	E CAPACITOR	0.1MF 20% 50V		
C 33	QEQF1HM-225Z	NP E CAPACITOR	2.2MF 20% 50V		
C 34	QDGB1HK-102Y	C CAPACITOR			
C 35	QERF1AM-227Z	E CAPACITOR	220MF 20% 10V		
C 81	QDX11EK-273Z	C CAPACITOR			
C 82	QERF1HM-105Z	E CAPACITOR	1.0MF 20% 50V		
C 91	QDX11EK-273Z	C CAPACITOR			
C 92	QERF1HM-105Z	E CAPACITOR	1.0MF 20% 50V		
C 162	QERF1HM-105Z	E CAPACITOR	1.0MF 20% 50V		
C 163	QERF1HM-105Z	E CAPACITOR	1.0MF 20% 50V		
C 164	QFLA1HJ-822Z	M CAPACITOR	8200PF 5% 50V		
C 165	QFV61HJ-154Z	MF CAPACITOR	0.15MF 5% 50V		
C 166	QFV61HJ-224Z	MF CAPACITOR	0.22MF 5% 50V		
C 167	QFV61HJ-333Z	MF CAPACITOR	0.033MF 5% 50V		
C 168	QDXB1CM-682Y	C CAPACITOR			
C 172	QERF1HM-105Z	E CAPACITOR	1.0MF 20% 50V		
C 173	QERF1HM-105Z	E CAPACITOR	1.0MF 20% 50V		
C 174	QFLA1HJ-822Z	M CAPACITOR	8200PF 5% 50V		
C 175	QFV61HJ-154Z	MF CAPACITOR	0.15MF 5% 50V		
C 176	QFV61HJ-224Z	MF CAPACITOR	0.22MF 5% 50V		
C 177	QFV61HJ-333Z	MF CAPACITOR	0.033MF 5% 50V		
C 178	QDXB1CM-682Y	C CAPACITOR			
C 181	QERF1HM-105Z	E CAPACITOR	1.0MF 20% 50V		
C 182	QERF1HM-105Z	E CAPACITOR	1.0MF 20% 50V		
C 191	QERF1HM-105Z	E CAPACITOR	1.0MF 20% 50V		
C 192	QERF1HM-105Z	E CAPACITOR	1.0MF 20% 50V		
C 195	QERF1CM-476Z	E CAPACITOR	47MF 20% 16V		
C 196	QERF1AM-107Z	E CAPACITOR	100MF 20% 10V		
C 197	QERF1AM-107Z	E CAPACITOR	100MF 20% 10V		
C 198	QDYB1CM-103Y	C CAPACITOR			
C 199	QCFB1HZ-104Y	C CAPACITOR	0.1MF +80:-20%		
C 241	QERF1HM-105Z	E CAPACITOR	1.0MF 20% 50V		
C 242	QERF1CM-226Z	E CAPACITOR	22MF 20% 16V		
C 243	QCFB1HZ-473Y	C CAPACITOR	0.047MF +80:-20%		
C 244	QERF1HM-474Z	E CAPACITOR	0.47MF 20% 50V		
C 301	QERF1CM-106Z	E CAPACITOR	10MF 20% 16V		
C 302	QERF1HM-225Z	E CAPACITOR	2.2MF 20% 50V		
C 303	QERF1EM-475Z	E CAPACITOR	4.7MF 20% 25V		
C 304	QCBB1HK-223Y	C CAPACITOR	0.022MF 10% 50V		
C 305	QERF1CM-226Z	E CAPACITOR	22MF 20% 16V		
C 306	QCFB1HZ-104Y	C CAPACITOR	0.1MF +80:-20%		
C 307	QCFB1HZ-104Y	C CAPACITOR	0.1MF +80:-20%		
C 308	QCFB1HZ-104Y	C CAPACITOR	0.1MF +80:-20%		
C 309	QCFB1HZ-104Y	C CAPACITOR	0.1MF +80:-20%		
C 321	QCBB1HK-471Y	C CAPACITOR	470PF 10% 50V		
C 322	QERF1HM-225Z	E CAPACITOR	2.2MF 20% 50V		
C 331	QCBB1HK-471Y	C CAPACITOR	470PF 10% 50V		
C 332	QERF1HM-225Z	E CAPACITOR	2.2MF 20% 50V		
C 341	QCBB1HK-471Y	C CAPACITOR	470PF 10% 50V		
C 342	QERF1HM-225Z	E CAPACITOR	2.2MF 20% 50V		
C 351	QCBB1HK-471Y	C CAPACITOR	470PF 10% 50V		
C 352	QERF1HM-225Z	E CAPACITOR	2.2MF 20% 50V		
C 701	QDUB1HJ-270Y	C CAPACITOR			

△	Item	Parts number	Parts name	Remarks	Area
C 702	QDCB1HJ-220Y	C CAPACITOR			
C 703	QERF1CM-106Z	E CAPACITOR	10MF 20% 16V		
C 704	QERF0JM-107Z	E CAPACITOR	100MF 20% 6.3V		
C 705	QFV61HJ-224Z	MF CAPACITOR	0.22MF 5% 50V		
C 707	QCFB1HZ-104Y	C CAPACITOR	0.1MF +80:-20%		
C 710	QCFB1HZ-104Y	C CAPACITOR	0.1MF +80:-20%		
C 711	QCBB1HK-103Y	C CAPACITOR	0.01MF 10% 50V		
C 712	QCBB1HK-103Y	C CAPACITOR	0.01MF 10% 50V		
C 781	QERF1AM-227Z	E CAPACITOR	220MF 20% 10V		
C 782	QERF1CM-476Z	E CAPACITOR	47MF 20% 16V		
C 801	QCFB1HZ-473Y	C CAPACITOR	0.047MF +80:-20%		
C 901	QEZ0518-228	E CAPACITOR	2200MF		
C 902	QERF1CM-106Z	E CAPACITOR	10MF 20% 16V		
C 903	QERF1CM-106Z	E CAPACITOR	10MF 20% 16V		
C 904	QERF1AM-227Z	E CAPACITOR	220MF 20% 10V		
C 905	QERF1CM-106Z	E CAPACITOR	10MF 20% 16V		
C 906	QERF1CM-106Z	E CAPACITOR	10MF 20% 16V		
C 907	QERF1CM-106Z	E CAPACITOR	10MF 20% 16V		
C 909	QDYB1CM-103Y	C CAPACITOR			
C 910	QERF1AM-227Z	E CAPACITOR	220MF 20% 10V		
C 911	QFV61HJ-104Z	MF CAPACITOR	0.1MF 5% 50V		
C 912	QEZ0423-228	E CAPACITOR	2200MF		
C 917	QFV11HJ-334AZ	MF CAPACITOR	0.33MF 5% 50V		
CJ321	QNN0170-001	PIN JACK (REEL)			
CJ701	VMC0334-001	CONNECTOR			
CP701	QGB1214J1-18S	CONNECTOR			
CP801	QNZ0095-001	CONNECTOR			
CP981	QNZ0002-001	CONNECTOR			
D 1	1SS133-T2	SI DIODE			
D 2	1SS133-T2	SI DIODE			
D 10	RB721Q-T2	S.B.DIODE			
D 31	MTZJ9.1C-T2	ZENER DIODE			
D 32	1SS133-T2	SI DIODE			
D 241	RB721Q-T2	S.B.DIODE			
D 242	RB721Q-T2	S.B.DIODE			
D 310	1SS133-T2	SI DIODE			
D 321	1SS254-T2	SI DIODE			
D 704	1SS133-T2	SI DIODE			
D 705	MTZJ5.6B-T2	ZENER DIODE			
D 706	MTZJ5.6B-T2	ZENER DIODE			
D 707	MTZJ5.6B-T2	ZENER DIODE			
D 708	MTZJ5.6B-T2	ZENER DIODE			
D 709	MTZJ5.6B-T2	ZENER DIODE			
D 710	MTZJ5.6B-T2	ZENER DIODE			
D 711	MTZJ5.6B-T2	ZENER DIODE			
D 715	MTZJ5.6B-T2	ZENER DIODE			
D 760	RB721Q-T2	S.B.DIODE			
D 781	1SS254-T2	SI DIODE			
D 782	MTZJ11B-T2	ZENER DIODE			
D 901	1N5401-F64	SI DIODE			
D 902	1SS254-T2	SI DIODE			
D 903	1A3G-T1	SI DIODE			
D 904	1A3G-T1	SI DIODE			
IC161	TEA6320T-X	IC			
IC301	LA4743K	IC			
IC701	LC72366-9A74	IC			
IC801	HD74HC126P	IC			
IC901	AN80T05	IC			
IC902	KIA7810PI	10V REGULATOR			
J 1	QNB0100-002	ANT TERMINAL			
L 1	QQL231K-4R7Y	INDUCTOR			
L 718	QQL231K-470Y	INDUCTOR			
L 901	QQR0703-001	CHOKE COIL			

■ Electrical parts list (Main board)

Block No. 01

△	Item	Parts number	Parts name	Remarks	Area	△	Item	Parts number	Parts name	Remarks	Area
	L 902	QQL231K-470Y	INDUCTOR				R 341	QRE141J-273Y	C RESISTOR	27K 5% 1/4W	
	L 903	QQL231K-470Y	INDUCTOR				R 342	QRE141J-473Y	C RESISTOR	47K 5% 1/4W	
	Q 4	KRC102M-T	D.TRANSISTOR				R 343	QRE141J-102Y	C RESISTOR	1.0K 5% 1/4W	
	Q 31	KTC3199/GL/-T	TRANSISTOR				R 344	QRE141J-101Y	C RESISTOR	100 5% 1/4W	
	Q 32	KTC3199/GL/-T	TRANSISTOR				R 351	QRE141J-273Y	C RESISTOR	27K 5% 1/4W	
	Q 241	KTC3199/GL/-T	TRANSISTOR				R 352	QRE141J-473Y	C RESISTOR	47K 5% 1/4W	
	Q 301	KRC102M-T	D.TRANSISTOR				R 353	QRE141J-102Y	C RESISTOR	1.0K 5% 1/4W	
	Q 321	2SD2144S/VW/-T	TRANSISTOR				R 354	QRE141J-101Y	C RESISTOR	100 5% 1/4W	
	Q 351	2SD2144S/VW/-T	TRANSISTOR				R 355	QRE141J-222Y	C RESISTOR	2.2K 5% 1/4W	
	Q 701	KTC3199/GL/-T	TRANSISTOR				R 701	QRE141J-473Y	C RESISTOR	47K 5% 1/4W	
	Q 781	KRA102M-T	D.TRANSISTOR				R 702	QRE141J-473Y	C RESISTOR	47K 5% 1/4W	
	Q 782	KRA102M-T	D.TRANSISTOR				R 703	QRE141J-472Y	C RESISTOR	4.7K 5% 1/4W	
	Q 901	KTA1267/YG/-T	TRANSISTOR				R 704	QRE141J-472Y	C RESISTOR	4.7K 5% 1/4W	
	Q 902	KRC102M-T	D.TRANSISTOR				R 705	QRE141J-472Y	C RESISTOR	4.7K 5% 1/4W	
	Q 903	KRA102M-T	D.TRANSISTOR				R 706	QRE141J-472Y	C RESISTOR	4.7K 5% 1/4W	
	Q 904	KRC102M-T	D.TRANSISTOR				R 708	QRE141J-472Y	C RESISTOR	4.7K 5% 1/4W	
	Q 905	2SA1855/RST/-T	TRANSISTOR				R 709	QRE141J-473Y	C RESISTOR	47K 5% 1/4W	
	Q 906	KRC102M-T	D.TRANSISTOR				R 710	QRE141J-473Y	C RESISTOR	47K 5% 1/4W	
	Q 907	KTA1267/YG/-T	TRANSISTOR				R 711	QRE141J-473Y	C RESISTOR	47K 5% 1/4W	
	Q 976	KTA1267/YG/-T	TRANSISTOR				R 712	QRE141J-473Y	C RESISTOR	47K 5% 1/4W	
	Q 977	KTC3199/GL/-T	TRANSISTOR				R 713	QRE141J-563Y	C RESISTOR	56K 5% 1/4W	
	R 1	QRE141J-100Y	C RESISTOR	10 5% 1/4W			R 714	QRE141J-473Y	C RESISTOR	47K 5% 1/4W	
	R 4	QRE141J-100Y	C RESISTOR	10 5% 1/4W			R 716	QRE141J-473Y	C RESISTOR	47K 5% 1/4W	
	R 6	QRE141J-820Y	C RESISTOR	82 5% 1/4W			R 717	QRE141J-472Y	C RESISTOR	4.7K 5% 1/4W	
	R 7	QRE141J-103Y	C RESISTOR	10K 5% 1/4W			R 718	QRE141J-472Y	C RESISTOR	4.7K 5% 1/4W	
	R 8	QRE141J-822Y	C RESISTOR	8.2K 5% 1/4W			R 719	QRE141J-472Y	C RESISTOR	4.7K 5% 1/4W	
	R 9	QRE141J-223Y	C RESISTOR	22K 5% 1/4W			R 720	QRE141J-472Y	C RESISTOR	4.7K 5% 1/4W	
	R 11	QRE141J-473Y	C RESISTOR	47K 5% 1/4W			R 721	QRE141J-222Y	C RESISTOR	2.2K 5% 1/4W	
	R 31	QRE141J-102Y	C RESISTOR	1.0K 5% 1/4W			R 722	QRE141J-222Y	C RESISTOR	2.2K 5% 1/4W	
	R 32	QRE141J-102Y	C RESISTOR	1.0K 5% 1/4W			R 723	QRE141J-222Y	C RESISTOR	2.2K 5% 1/4W	
	R 33	QRE141J-102Y	C RESISTOR	1.0K 5% 1/4W			R 724	QRE141J-332Y	C RESISTOR	3.3K 5% 1/4W	
	R 34	QRE141J-103Y	C RESISTOR	10K 5% 1/4W			R 725	QRE141J-332Y	C RESISTOR	3.3K 5% 1/4W	
	R 35	QRE141J-152Y	C RESISTOR	1.5K 5% 1/4W			R 727	QRE141J-473Y	C RESISTOR	47K 5% 1/4W	
	R 36	QRE141J-471Y	C RESISTOR	470 5% 1/4W			R 728	QRE141J-222Y	C RESISTOR	2.2K 5% 1/4W	
	R 81	QRE141J-472Y	C RESISTOR	4.7K 5% 1/4W			R 729	QRE141J-222Y	C RESISTOR	2.2K 5% 1/4W	
	R 82	QRE141J-392Y	C RESISTOR	3.9K 5% 1/4W			R 730	QRE141J-222Y	C RESISTOR	2.2K 5% 1/4W	
	R 91	QRE141J-472Y	C RESISTOR	4.7K 5% 1/4W			R 731	QRE141J-472Y	C RESISTOR	4.7K 5% 1/4W	
	R 92	QRE141J-392Y	C RESISTOR	3.9K 5% 1/4W			R 733	QRE141J-103Y	C RESISTOR	10K 5% 1/4W	
	R 161	QRE141J-223Y	C RESISTOR	22K 5% 1/4W			R 734	QRE141J-103Y	C RESISTOR	10K 5% 1/4W	
	R 162	QRE141J-222Y	C RESISTOR	2.2K 5% 1/4W			R 735	QRE141J-103Y	C RESISTOR	10K 5% 1/4W	
	R 163	QRE141J-392Y	C RESISTOR	3.9K 5% 1/4W			R 736	QRE141J-103Y	C RESISTOR	10K 5% 1/4W	
	R 164	QRE141J-122Y	C RESISTOR	1.2K 5% 1/4W			R 737	QRE141J-103Y	C RESISTOR	10K 5% 1/4W	
	R 171	QRE141J-223Y	C RESISTOR	22K 5% 1/4W			R 738	QRE141J-222Y	C RESISTOR	2.2K 5% 1/4W	
	R 172	QRE141J-222Y	C RESISTOR	2.2K 5% 1/4W			R 743	QRE141J-472Y	C RESISTOR	4.7K 5% 1/4W	
	R 173	QRE141J-392Y	C RESISTOR	3.9K 5% 1/4W			R 750	QRE141J-243Y	C RESISTOR	24K 5% 1/4W	
	R 174	QRE141J-122Y	C RESISTOR	1.2K 5% 1/4W			R 801	QRE141J-104Y	C RESISTOR	100K 5% 1/4W	
	R 195	QRE141J-100Y	C RESISTOR	10 5% 1/4W			R 802	QRE141J-104Y	C RESISTOR	100K 5% 1/4W	
	R 241	QRE141J-154Y	C RESISTOR	150K 5% 1/4W			R 803	QRE141J-101Y	C RESISTOR	100 5% 1/4W	
	R 242	QRE141J-154Y	C RESISTOR	150K 5% 1/4W			R 804	QRE141J-334Y	C RESISTOR	330K 5% 1/4W	
	R 243	QRE141J-184Y	C RESISTOR	180K 5% 1/4W			R 805	QRE141J-334Y	C RESISTOR	330K 5% 1/4W	
	R 244	QRE141J-223Y	C RESISTOR	22K 5% 1/4W			R 806	QRE141J-104Y	C RESISTOR	100K 5% 1/4W	
	R 245	QRE141J-123Y	C RESISTOR	12K 5% 1/4W			R 807	QRE141J-101Y	C RESISTOR	100 5% 1/4W	
	R 246	QRE141J-101Y	C RESISTOR	100 5% 1/4W			R 808	QRE141J-223Y	C RESISTOR	22K 5% 1/4W	
	R 247	QRE141J-102Y	C RESISTOR	1.0K 5% 1/4W			R 809	QRE141J-103Y	C RESISTOR	10K 5% 1/4W	
	R 248	QRE141J-563Y	C RESISTOR	56K 5% 1/4W			R 810	QRE141J-104Y	C RESISTOR	100K 5% 1/4W	
	R 301	QRE141J-472Y	C RESISTOR	4.7K 5% 1/4W			R 811	QRE141J-682Y	C RESISTOR	6.8K 5% 1/4W	
	R 302	QRE141J-273Y	C RESISTOR	27K 5% 1/4W			R 812	QRE141J-242Y	C RESISTOR	2.4K 5% 1/4W	
	R 303	QRE141J-102Y	C RESISTOR	1.0K 5% 1/4W			R 813	QRE141J-242Y	C RESISTOR	2.4K 5% 1/4W	
	R 321	QRE141J-273Y	C RESISTOR	27K 5% 1/4W			R 814	QRE141J-682Y	C RESISTOR	6.8K 5% 1/4W	
	R 322	QRE141J-473Y	C RESISTOR	47K 5% 1/4W			R 901	QRE141J-101Y	C RESISTOR	100 5% 1/4W	
	R 325	QRE141J-222Y	C RESISTOR	2.2K 5% 1/4W			R 902	QRE141J-682Y	C RESISTOR	6.8K 5% 1/4W	
	R 331	QRE141J-273Y	C RESISTOR	27K 5% 1/4W			R 903	QRE141J-113Y	C RESISTOR	11K 5% 1/4W	
	R 332	QRE141J-473Y	C RESISTOR	47K 5% 1/4W			R 908	QRE141J-473Y	C RESISTOR	47K 5% 1/4W	

## ■ Electrical parts list (Main board)

Block No. 01

△	Item	Parts number	Parts name	Remarks	Area
	R 909	QRE141J-102Y	C RESISTOR	1.0K 5% 1/4W	
	R 976	QRE141J-433Y	C RESISTOR	43K 5% 1/4W	
	R 977	QRE141J-683Y	C RESISTOR	68K 5% 1/4W	
	R 978	QRE141J-273Y	C RESISTOR	27K 5% 1/4W	
	R 979	QRE141J-473Y	C RESISTOR	47K 5% 1/4W	
	TU 1	QAU0257-001	TUNER		
	X 701	QAX0406-001Z	CRYSTAL		

■ Electrical parts list (Front board)

Block No. 02

△	Item	Parts number	Parts name	Remarks	Area
	C 651	NCB21HK-103X	C CAPACITOR		
	C 652	NBE20JM-475X	TS E CAPACITOR		
	C 653	NCB21HK-681X	C CAPACITOR		
	C 654	NBE20JM-475X	TS E CAPACITOR		
	CP701	VMC0335-001	CONNECTOR		
	D 601	SML-310LT/MN/-X	LED		
	D 602	SML-310VT/JK/-X	LED		
	D 603	SML-310VT/JK/-X	LED		
	D 604	SML-310VT/JK/-X	LED		
	D 605	SML-310VT/JK/-X	LED		
	D 606	SML-310VT/JK/-X	LED		
	D 607	SML-310VT/JK/-X	LED		
	D 608	LT1F67AF-W	LED		
	D 609	SML-310VT/JK/-X	LED		
	D 610	SML-310VT/JK/-X	LED		
	D 611	SML-310VT/JK/-X	LED		
	D 612	SML-310VT/JK/-X	LED		
	D 613	SML-310VT/JK/-X	LED		
	D 614	SML-310VT/JK/-X	LED		
	D 615	SML-310VT/JK/-X	LED		
	D 616	SML-310VT/JK/-X	LED		
	D 617	SML-310VT/JK/-X	LED		
	D 618	SML-310VT/JK/-X	LED		
	D 619	SML-310VT/JK/-X	LED		
	D 620	SML-310VT/JK/-X	LED		
	D 640	NSPW310BS/BRS/	LED		
	D 641	NSPW310BS/BRS/	LED		
	D 652	MA152WA-X	DIODE		
	D 653	MA152WA-X	DIODE		
	D 654	MA152WK-X	SI DIODE		
	D 655	MA152WK-X	SI DIODE		
	D 657	MA3062/H/-X	ZENER DIODE		
	IC651	PT6523LQ	IC		
	IC652	RPM6938-SV4	IC		
	R 601	NRSA63J-681X	MG RESISTOR		
	R 602	NRSA63J-561X	MG RESISTOR		
	R 603	NRSA63J-681X	MG RESISTOR		
	R 604	NRSA63J-911X	MG RESISTOR		
	R 605	NRSA63J-122X	MG RESISTOR		
	R 607	NRSA63J-681X	MG RESISTOR		
	R 608	NRSA63J-561X	MG RESISTOR		
	R 609	NRSA63J-681X	MG RESISTOR		
	R 610	NRSA63J-911X	MG RESISTOR		
	R 611	NRSA63J-122X	MG RESISTOR		
	R 612	NRSA63J-152X	MG RESISTOR		
	R 613	NRSA63J-681X	MG RESISTOR		
	R 614	NRSA63J-561X	MG RESISTOR		
	R 615	NRSA63J-681X	MG RESISTOR		
	R 616	NRSA63J-911X	MG RESISTOR		
	R 617	NRSA63J-122X	MG RESISTOR		
	R 618	NRSA63J-152X	MG RESISTOR		
	R 630	NRS181J-331X	MG RESISTOR		
	R 631	NRS181J-331X	MG RESISTOR		
	R 635	NRSA02J-821X	MG RESISTOR		
	R 636	NRSA02J-222X	MG RESISTOR		
	R 637	NRSA02J-222X	MG RESISTOR		
	R 638	NRSA02J-102X	MG RESISTOR		
	R 639	NRSA02J-102X	MG RESISTOR		
	R 640	NRSA02J-122X	MG RESISTOR		
	R 641	NRSA02J-122X	MG RESISTOR		
	R 642	NRSA02J-391X	MG RESISTOR		
	R 643	NRSA02J-391X	MG RESISTOR		
	R 644	NRSA02J-391X	MG RESISTOR		

△	Item	Parts number	Parts name	Remarks	Area
	R 645	NRSA02J-391X	MG RESISTOR		
	R 646	NRSA02J-681X	MG RESISTOR		
	R 647	NRSA02J-681X	MG RESISTOR		
	R 648	NRSA02J-102X	MG RESISTOR		
	R 649	NRSA02J-102X	MG RESISTOR		
	R 651	NRSA02J-152X	MG RESISTOR		
	R 652	NRSA02J-473X	MG RESISTOR		
	R 653	NRSA02J-184X	MG RESISTOR		
	R 654	NRSA02J-103X	MG RESISTOR		
	R 655	NRSA02J-103X	MG RESISTOR		
	R 656	NRSA02J-103X	MG RESISTOR		
	R 657	NRSA63J-103X	MG RESISTOR		
	R 658	NRSA63J-470X	MG RESISTOR		
	S 601	NSW0124-001X	TACT SWITCH		
	S 602	NSW0124-001X	TACT SWITCH		
	S 603	NSW0124-001X	TACT SWITCH		
	S 604	NSW0124-001X	TACT SWITCH		
	S 605	NSW0124-001X	TACT SWITCH		
	S 606	NSW0124-001X	TACT SWITCH		
	S 608	NSW0124-001X	TACT SWITCH		
	S 609	NSW0124-001X	TACT SWITCH		
	S 610	NSW0124-001X	TACT SWITCH		
	S 611	NSW0124-001X	TACT SWITCH		
	S 612	NSW0124-001X	TACT SWITCH		
	S 613	NSW0124-001X	TACT SWITCH		
	S 614	NSW0124-001X	TACT SWITCH		
	S 615	NSW0124-001X	TACT SWITCH		
	S 616	NSW0124-001X	TACT SWITCH		
	S 617	NSW0124-001X	TACT SWITCH		
	S 618	NSW0124-001X	TACT SWITCH		
	S 619	NSW0124-001X	TACT SWITCH		
	S 620	NSW0124-001X	TACT SWITCH		
	S 621	NSW0124-001X	TACT SWITCH		

**■ Electrical parts list (Mecha control board) Block No. 03**

△	Item	Parts number	Parts name	Remarks	Area
	C 401	NDC31HJ-101X	C CAPACITOR		
	C 402	NDC31HJ-101X	C CAPACITOR		
	C 403	NDC31HJ-101X	C CAPACITOR		
	C 404	NDC31HJ-101X	C CAPACITOR		
	C 405	NDC31HJ-101X	C CAPACITOR		
	C 406	NDC31HJ-101X	C CAPACITOR		
	C 407	NDC31HJ-101X	C CAPACITOR		
	C 408	NDC31HJ-101X	C CAPACITOR		
	C 409	QEKJ1CM-226Z	E CAPACITOR	22MF 20% 16V	
	C 410	QFV61HJ-153Z	MF CAPACITOR	0.015MF 5% 50V	
	C 411	QFV61HJ-153Z	MF CAPACITOR	0.015MF 5% 50V	
	C 412	NCB31EK-104X	C CAPACITOR		
	C 413	NCB31EK-104X	C CAPACITOR		
	C 414	QEKJ1CM-226Z	E CAPACITOR	22MF 20% 16V	
	C 415	NCB31EK-103X	C CAPACITOR		
	C 418	NDC31HJ-221X	C CAPACITOR		
	C 419	QEKJ1HM-474Z	E CAPACITOR	0.47MF 20% 50V	
	C 421	NCB31HK-103X	C CAPACITOR		
	C 422	NCB31EK-104X	C CAPACITOR		
	C 423	QERF1CM-106Z	E CAPACITOR	10MF 20% 16V	
	C 424	NCB31EK-104X	C CAPACITOR		
	C 425	NCB31HK-103X	C CAPACITOR		
	CN401	QGB1214K1-18S	CONNECTOR		
	CN402	VMP3501-001	WIRE		
	CN403	QGF1219F1-10S	CONNECTOR		
	D 401	MA3047/H/-X	ZENER DIODE		
	D 402	1A3G-T1	SI DIODE		
	IC401	CXA2559Q	IC		
	IC402	LB1641	IC		
	Q 402	DTC114EKA-X	TRANSISTOR		
	Q 403	2SB1322/RS/-T	TRANSISTOR		
	R 401	NRS181J-391X	MG RESISTOR		
	R 402	NRSA63J-104X	MG RESISTOR		
	R 403	NRSA63J-104X	MG RESISTOR		
	R 404	NRSA63J-104X	MG RESISTOR		
	R 405	NRSA63J-104X	MG RESISTOR		
	R 406	NRSA63J-181X	MG RESISTOR		
	R 407	NRSA63J-181X	MG RESISTOR		
	R 408	NRSA63J-123X	MG RESISTOR		
	R 409	NRSA63J-243X	MG RESISTOR		
	R 410	NRSA63J-243X	MG RESISTOR		
	R 411	NRSA63J-123X	MG RESISTOR		
	R 412	NRSA02J-101X	MG RESISTOR		
	R 413	NRSA63J-183X	MG RESISTOR		
	R 414	NRSA63J-392X	MG RESISTOR		
	R 415	NRSA63J-223X	MG RESISTOR		
	R 416	NRSA63J-155X	MG RESISTOR		
	R 417	NRSA63J-103X	MG RESISTOR		
	R 418	NRSA63J-153X	MG RESISTOR		
	R 422	NRSA02J-332X	MG RESISTOR		
	R 423	NRS181J-473X	MG RESISTOR		
	R 424	NRSA02J-332X	MG RESISTOR		
	R 425	NRS181J-330X	MG RESISTOR		

< MEMO >

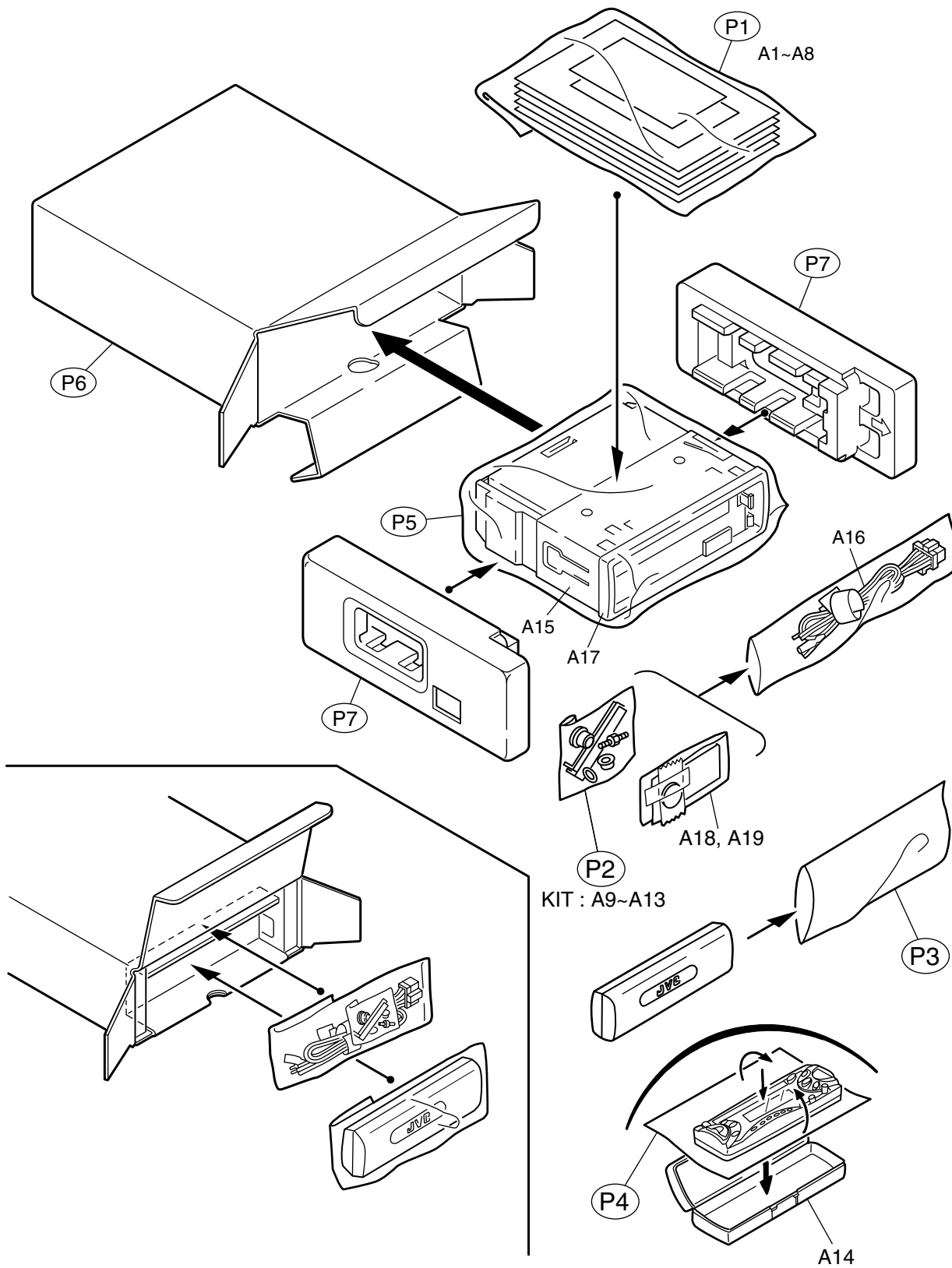
# Packing materials and accessories parts list

Block No. 

M	3	M	M
---	---	---	---

Block No. 

M	5	M	M
---	---	---	---





■ Parts list (Packing)

Block No. M3MM

△	Item	Parts number	Parts name	Q'ty	Description	Area
	P 1	FSPG4002-001	POLY BAG	1	INST BOOK	
	P 2	QPA00801205	POLY BAG	1	KIT	
	P 3	QPA01003003	POLY BAG	1	HARD CASE	
	P 4	FSYH4036-068	SHEET	1		
	P 5	VPE3005-064	POLY BAG	1	SET	
	P 6	GE30406-007A	CARTON	1		
	P 7	GE10036-001A	EPS CUSHION	2	LEFT/RIGHT SIDE	

■ Parts list (Accessories)

Block No. M5MM

△	Item	Parts number	Parts name	Q'ty	Description	Area
	A 1	GET0061-001A	INST BOOK	1	ENG,SPA,FRE	
	A 2	GET0061-002A	INSTALL MANUAL	1	ENG,SPA,FRE	
	A 3	LVT0328-001B	TROUBLE SHOOTIN	1		
	A 4	LV41679-001A	INFO.SHEET	1		
	A 5	BT-51018-3	WARRANTY CARD	1		
	A 6	BT-52004-2	WARRANTY CARD	1		
	A 7	BT-51028-1	J=REGIST CAR	1		
	A 8	BT-20071B-S	JVC CENTER LIST	1		
	A 9	VKZ4027-202	PLUG NUT	1		
	A 10	VKH4871-001SS	MOUNT BOLT	1		
	A 11	VKZ4328-001	LOCK NUT	1	FOR M5	
	A 12	WNS5000Z	WASHER	1		
	A 13	FSKL4010-002	HOOK	2		
	A 14	FSJB3001-30C	HARD CASE	1		
	A 15	FSKM2004-003	MOUNTING SLEEVE	1		
	A 16	QAM0013-005	16P CORD ASSY	1		
	A 17	FSJD2034-011	TRIM PLATE	1		
	A 18	RM-RK31	REMOCON	1		
	A 19	-----	BATTERY	1		
	KIT	KDGS717K-SCREW1	SCREW PARTS KIT	1	A9-A13	